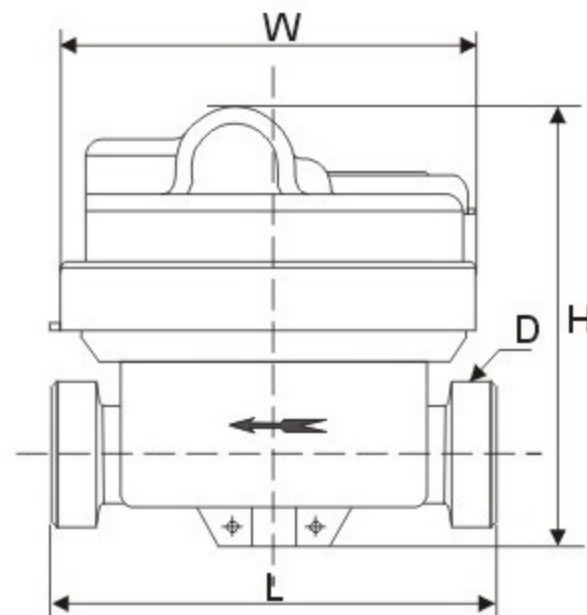




LXSG-13D₆/DF



LCD Reading



Technical Data

Nominal size DN(mm)	Class of measurement	Overload flow-rate $q_s(m^3/h)$	Permanent flow-rate $q_p(m^3/h)$	Transitional flow-rate $q_t(l/h)$	Minimum flow-rate $q_{min}(l/h)$	Minimum reading $M_{in}(m^3)$
15	C	3	1.5	22.5	1.5	0.01
15	D	3	1.5	17.2	1.12	0.01

Overall Dimension and Weight

Type	Size (mm)	Length (mm) L	Width (mm) W	Height (mm) H	Connecting Thread D	Weight (kg)
LXSG-13D ₆ /DF	15	80	74.5	79	G ^{3/4} " B	0.5

Features:

- Liquid Crystal Display Registers
- Sensors with high stability and resistance to external magnetic interference
- Low Power Consumption
- Display error Correction makes flow error curve approximates a straight line
- Minimum reading: 0.01 l
- Low battery voltage warning
- Water protection grade is IP68, it can work submerged under 1 meter of water
- Battery life time over 7 years
- With Memory and editing of meter locations
- Uses additional E²PROM total volume data recording. Data saved for 10 years when power is off.
- With M-BUS pulse output
- The meters conform to ISO4064 standard Class C or Class D

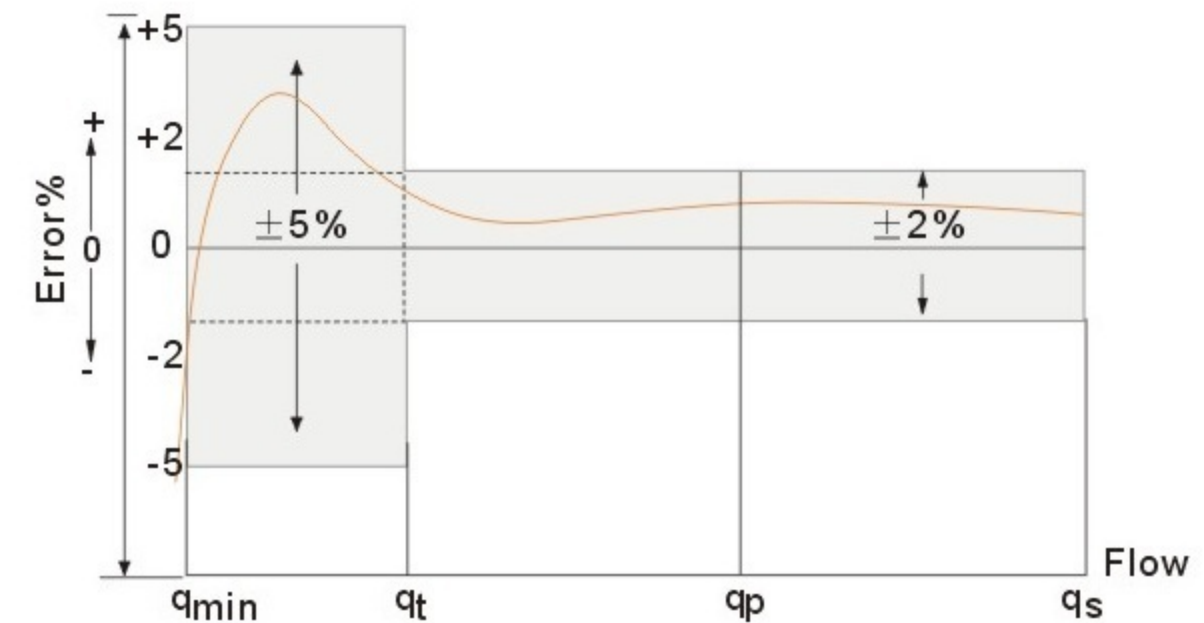
Working Condition

- Temperature: -25°C~+55°C
- Relative humidity: 93%

Accuracy

- From minimum flow-rate (q_{min}) inclusive, to transitional flow-rate (q_t), exclusive: $\pm 5\%$
- From transitional flow-rate (q_t) inclusive, to overload flow-rate (q_s), exclusive: $\pm 2\%$

Error Curve



Headloss Curve

