

# AUT

## Horizontal Or Vertical Woltman Water Meter



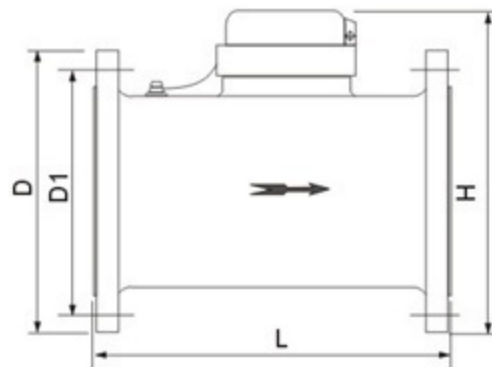
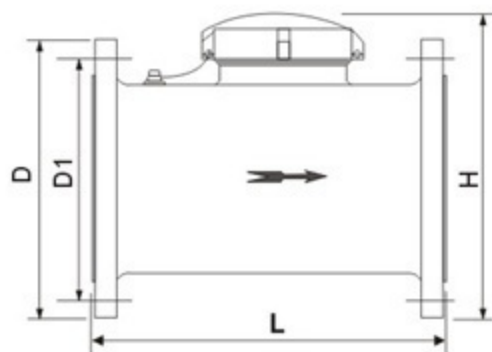
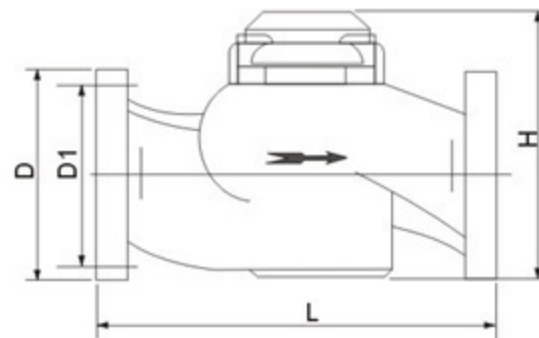
LXL-80E~200E



LXLG-80E~200E



LXR-50E~150E



### Technical Data

Nominal size DN(mm)	Class of measurement	Overload flow-rate $q_s(m^3/h)$	Permanent flow-rate $q_p(m^3/h)$	Transitional flow-rate $q_t(l/h)$	Minimum flow-rate $q_{min}(l/h)$	Minimum reading $Min(m^3)$	Maximum reading $Max(m^3)$
50	B	30	15	3	0.45	0.01	999999
80	B	80	40	8	1.2	0.01	999999
100	B	120	60	12	1.8	0.01	999999
150	B	300	150	30	4.5	0.1	9999999
200	B	500	250	50	7.5	0.1	9999999

### Overall Dimension and Weight

Type	Size (mm)	Length (mm) L	Height (mm) H	Connecting flange			Weight (kg)
				Outer diameter of flange D(mm)	The center diameter of connecting bolt D1(mm)	Connecting bolt (Pcs.)	
LXR-50E	50	280	300	165	125	4 × M16	19
LXR-80E	80	370	310	200	160	8 × M16	27
LXR-100E	100	370	315	220	180	8 × M16	29
LXR-150E	150	500	445	290	240	8 × M20	80
LXL(G)-80E	80	225	235	200	160	8 × M16	14
LXL(G)-100E	100	250	255	220	180	8 × M16	17
LXL(G)-150E	150	300	305	285	240	8 × M20	28
LXL(G)-200E	200	350	355	340	295	8 × M20	42

**AUT RESOURCES SDN BHD (768928D)**  
 43 GREEN DRIVE 11600 PENANG MALAYSIA  
 PHONE : 60124210032, 60124238009 FAX : 6046439708  
 E-mail : access\_utrade@yahoo.com. / access.utrade@gmail.com.  
<http://www.autresources.com/>

## Features (horizontal):

- Dry-dial, magnetic drive
- Vacuum sealed register, frost resistant, keeps clear reading for long time
- For cold or hot water
- Measuring high flowrate with low head loss
- The meters conform to ISO4064 Standard Class B

## Features (vertical):

- Removable measuring unit, Inner slot web, easy maintenance
- Dry-dial, magnetic drive, keeps clear reading for long time
- For cold or hot water
- Low start flow, low pressure loss at high flowrate, better than vane wheel water meter
- The meters conform to ISO4064 Standard Class B

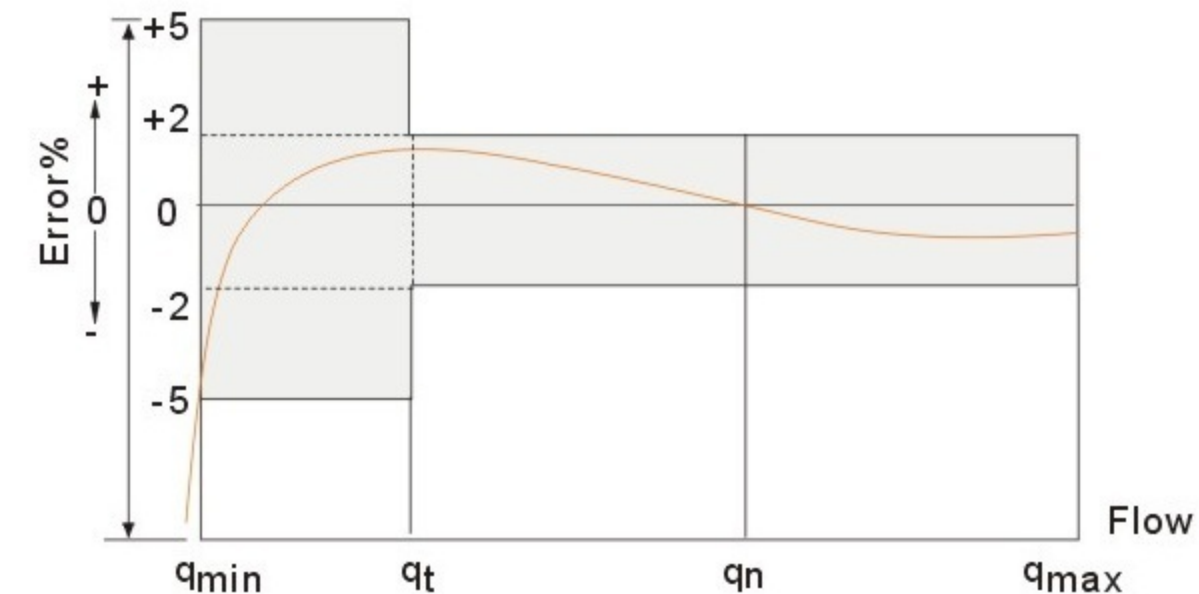
## Working Condition

- Water temperature  $\leq 45^{\circ}\text{C}$   
(Hot water meter  $\leq 90^{\circ}\text{C}$ )
- Water pressure  $\leq 1\text{MPa}$   
(PN: 1.6MPa/16bar)
- $\Delta P \leq 0.03\text{MPa}$

## Accuracy

- From minimum flow-rate ( $q_{\min}$ ) inclusive, to transitional flow-rate ( $q_t$ ), exclusive:  $\pm 5\%$
- From transitional flow-rate ( $q_t$ ) inclusive, to overload flow-rate ( $q_s$ ), exclusive:  $\pm 2\%$   
(Hot water meter:  $\pm 3\%$ )

### Error Curve



### Headloss Curve

