

AUT

Multi Jet Liquid Sealed Vane Wheel Water Meter



LXS(R)-50^C~65^C_E



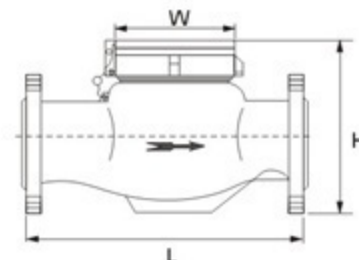
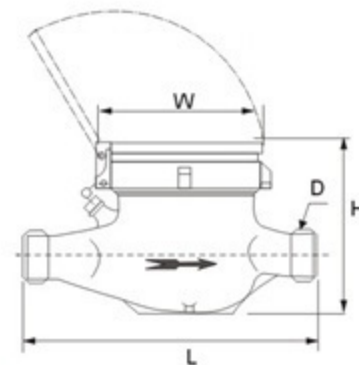
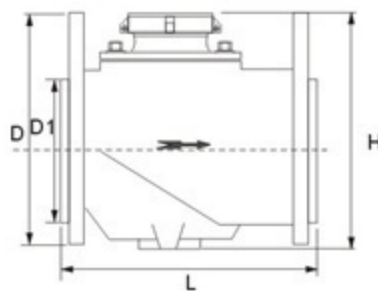
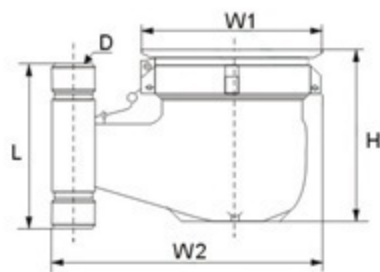
LXS-80C ~ 150C
LXS(R)-80E ~ 150E



LXS(R)-15^C~65^C_E



LXSL(R)-15^C~25^C_E



Technical Data

Nominal size DN(mm)	Class of measurement	Overload flow-rate q _s (m ³ /h)	Permanent flow-rate q _p (m ³ /h)	Transitional flow-rate q _t (l/h)	Minimum flow-rate q _{min} (l/h)
15	B	3	1.5	120	30
15	C	3	1.5	22.5	15
20	B	5	2.5	200	50
25	B	7	3.5	280	70
32	B	12	6.0	480	120
40	B	20	10	800	200
50	B	30	15	3000	450
65	B	40	20	4000	600
80	B	60	30	6000	900
100	B	100	50	10000	1500
150	B	200	100	20000	3000

Overall Dimension and Weight

Type	Size (mm)	Length (mm) L	Width (mm)		Height (mm) H	Connecting Thread D	Weight (kg)
			W1	W2			
LXSL-15	15	98	96	134	115	G ³ / ₄ " B	1.7
LXSL-20	20	100	96	140	118	G 1" B	2.1
LXSL-25	25	108	103	162	121	G 1 ¹ / ₄ " B	3.1
LXS-15	15	165	99		104	G ³ / ₄ " B	1.5
LXS-20	20	195/190	99		106	G 1" B	1.7
LXS-25	25	225/260	104		120	G 1 ¹ / ₄ " B	2.4
LXS-32	32	230/260	104		120	G 1 ¹ / ₂ " B	2.8
LXS-40	40	245/300	125		155	G 2" B	5.1
LXS-50	50	280/300	125		155	G 2 ¹ / ₂ " B	7.2
		280	158	175			
LXS-65	65	280	162		175	Outer diameter of flange GB4216.4-84	14.1

AUT RESOURCES SDN BHD (768928D)
 43 GREEN DRIVE 11600 PENANG MALAYSIA
 PHONE : 60124210032, 60124238009 FAX : 6046439708
 E-mail : access_utrade@yahoo.com. / access.utrade@gmail.com.
<http://www.autresources.com/>

Type	Size (mm)	Length (mm)	Height (mm)	Connecting flange			Weight (kg)
				Outer diameter of flange D(mm)	The center diameter of connecting bolt D1(mm)	Connecting bolt (Pcs.)	
LXS-80	80	370	255	210	160	8×M16	38
LXS-100	100	370	280	235	180	8×M16	43
LXS-150	150	500	263	285	240	8×M20	90

Features:

- C-type: eight figure register
- E-type: register with both clock hands and number wheels
- High measuring accuracy, low starting flow rate
- For hot or cold water
- LXSL-15E easy vertical installation
- The meters conform to ISO4064 Standard Class B or Class C.

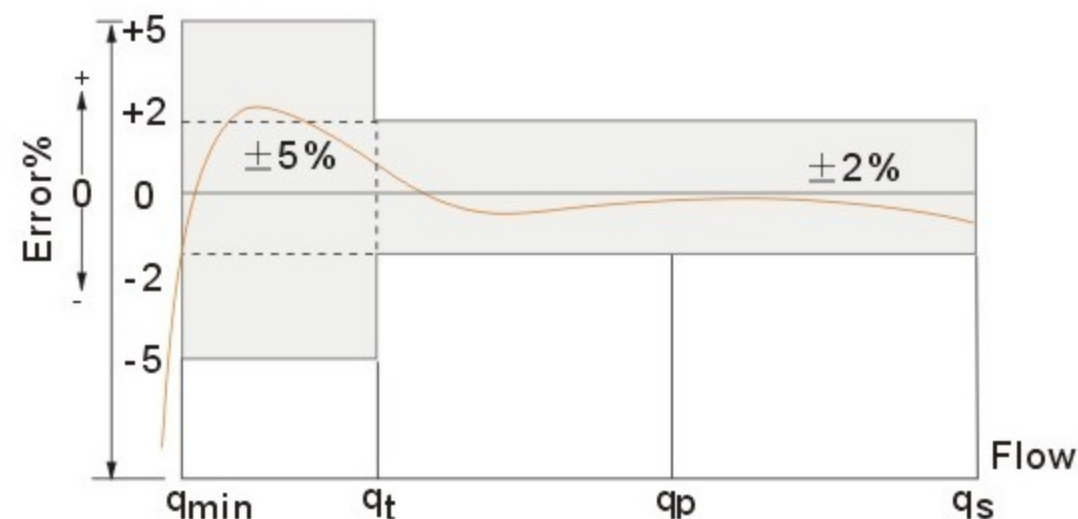
Working Condition

- Water temperature $\leq 45^{\circ}\text{C}$
(Hot water meter $\leq 90^{\circ}\text{C}$)
- Water pressure $\leq 1\text{MPa}$
(PN: 1.6MPa/16bar)
- $\Delta P \leq 0.1\text{MPa}$

Accuracy

- From minimum flow-rate (q_{\min}) inclusive, to transitional flow-rate (q_t), exclusive: $\pm 5\%$
- From transitional flow-rate (q_t) inclusive, to overload flow-rate (q_s), exclusive: $\pm 2\%$
(Hot water meter: $\pm 3\%$)

Error Curve



Headloss Curve

