



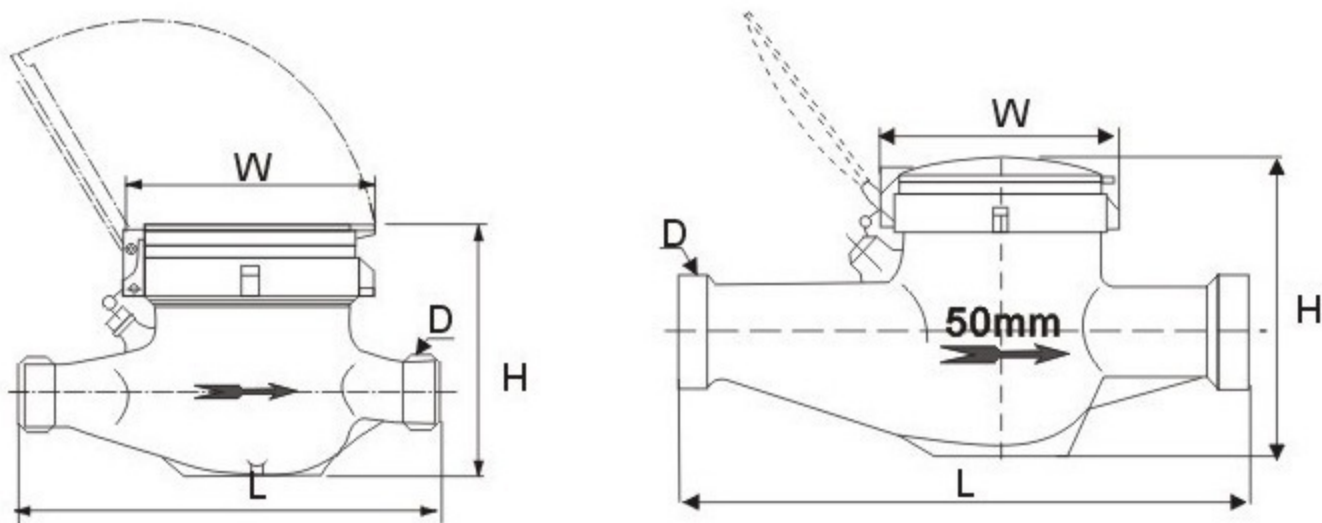
LXSG-15E ~ 50E

Technical Data

Nominal size DN(mm)	Class of measurement	Overload flow-rate $q_s(m^3/h)$	Permanent flow-rate $q_p(m^3/h)$	Transitional flow-rate $q_t(l/h)$	Minimum flow-rate $q_{min}(l/h)$
15	B	3	1.5	120	30
20	B	5	2.5	200	50
25	B	7	3.5	280	70
32	B	12	6.0	480	120
40	B	20	10	800	200
50	B	30	15	3000	450

Overall Dimension and Weight

Type	Size (mm)	Length (mm) L	Width (mm) W	Height (mm) H	Connecting Thread D	Weight (kg)
LXSG-15E	15	165	99	104	G $\frac{3}{4}$ " B	1.5
LXSG-20E	20	195/190	99	106	G 1" B	1.7
LXSG-25E	25	225/260	104	120	G1 $\frac{1}{4}$ " B	2.4
LXSG-32E	32	230/260	104	120	G1 $\frac{1}{2}$ " B	2.8
LXSG-40E	40	245/300	120	155	G 2" B	5.1
LXSG-50E	50	280/300	125	155	G2 $\frac{1}{2}$ " B	7.2



Features:

- Dry-dial, magnetic drive, protected against external magnetic tampering
- Vacuum sealed register, frost resistant, keeps clear reading for long time
- Brass body, cast iron body or plastic body, optional
- Brass body and cast iron body can be painted
- Internal or external adjusting device, optional
- For hot or cold water
- Remote transmission device can be added upon request
- Many kinds of sensors, such as Reed Switch, Hall and Weagand can be supplied upon request
- Pulse output may be 1l/pulse , 10l/pulse
- The meters conform to ISO4064 Standard Class B

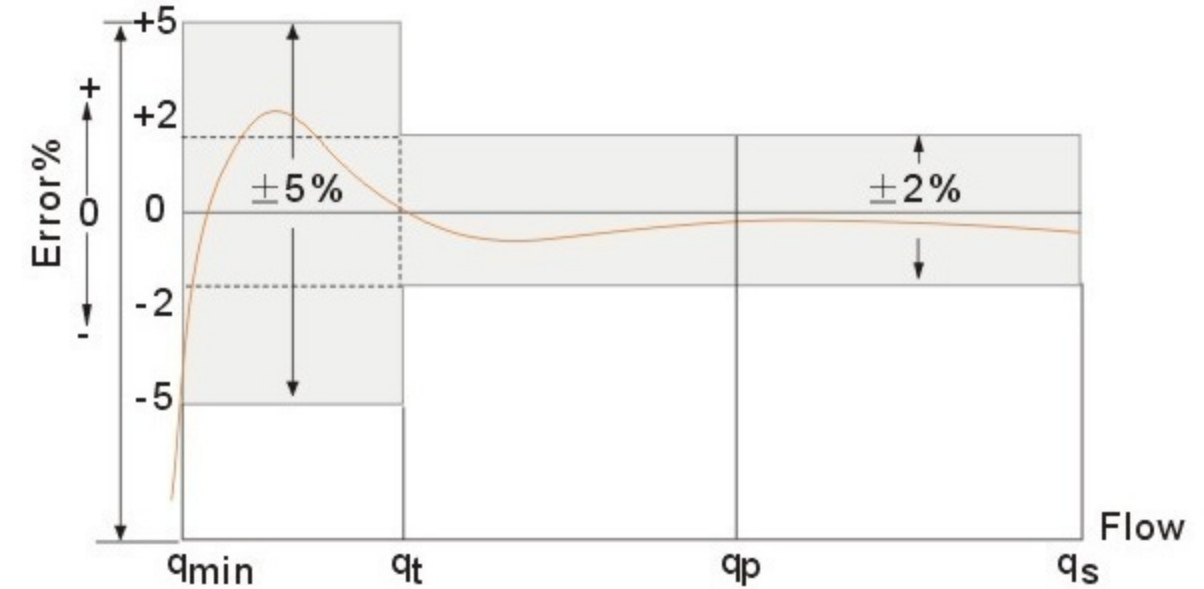
Working Condition

- Water temperature $\leq 50^{\circ}\text{C}$
(Hot water meter $\leq 90^{\circ}\text{C}$)
- Water pressure $\leq 1\text{MPa}$
(PN: 1.6MPa/16bar)
- $\Delta P \leq 0.1\text{MPa}$

Accuracy

- From minimum flow-rate (q_{\min}) inclusive, to transitional flow-rate (q_t), exclusive: $\pm 5\%$
- From transitional flow-rate (q_t) inclusive, to overload flow-rate (q_s), exclusive: $\pm 2\%$
(Hot water meter: $\pm 3\%$)

Error Curve



Headloss Curve

